

# Ecostyle CV Steel Panel Radiators



## Type 21 (2 Panels, 1 Convector)

- Elegant steel panel radiator design
- White enameled finish for scratch & corrosion resistance
  - Provides both radiant and convective heat
- Well suited for standard efficiency and condensing boilers
  - Easy to sub-zone



## Horizontal Panels Type 21 6 Pipe Connection Panels (1/2" BSP Female)

| Product Code | Height (inch) | Length (inch) | Output (BTU/HR) @ 180°F x 68°F** | Output (BTU/HR) @ 140°F x 68°F** | Weight (lbs) | Water Content (gal) |     |
|--------------|---------------|---------------|----------------------------------|----------------------------------|--------------|---------------------|-----|
| ECS82421CV   | 8"            | 24"           | 1,346                            | 781                              | 14           | .40                 |     |
| ECS83621CV   |               | 36"           | 2,022                            | 1,173                            | 22           | .60                 |     |
| ECS84821CV   |               | 48"           | 2,698                            | 1,565                            | 29           | .80                 |     |
| ECS85621CV   |               | 56"           | 3,147                            | 1,825                            | 34           | .90                 |     |
| ECS87121CV   |               | 71"           | 4,046                            | 2,347                            | 43           | 1.2                 |     |
| ECS89221CV   |               | 92"           | 5,172                            | 3,000                            | 55           | 1.5                 |     |
| ECS812021CV  | 16"           | 120"          | 6,742                            | 3,910                            | 77           | 2.0                 |     |
| ECS161621CV  |               | 16"           | 1743                             | 984                              | 17           | 0.5                 |     |
| ECS162421CV  |               | 24"           | 2617                             | 1478                             | 26           | 0.7                 |     |
| ECS163221CV  |               | 32"           | 3487                             | 1968                             | 34           | 1.0                 |     |
| ECS163621CV  |               | 36"           | 3926                             | 2216                             | 35           | 1.1                 |     |
| ECS164021CV  |               | 40"           | 4361                             | 2462                             | 42           | 1.2                 |     |
| ECS164821CV  |               | 48"           | 5235                             | 2955                             | 50           | 1.4                 |     |
| ECS165621CV  |               | 56"           | 6104                             | 3446                             | 59           | 1.7                 |     |
| ECS201621CV  |               | 20"           | 16"                              | 2098                             | 1177         | 21                  | 0.6 |
| ECS202421CV  |               |               | 24"                              | 3152                             | 1769         | 31                  | 0.9 |
| ECS203221CV  | 32"           |               | 4201                             | 2357                             | 43           | 1.2                 |     |
| ECS203621CV  | 36"           |               | 4723                             | 2651                             | 44           | 1.3                 |     |
| ECS204021CV  | 40"           |               | 5250                             | 2946                             | 53           | 1.5                 |     |
| ECS204821CV  | 48"           |               | 6299                             | 3535                             | 63           | 1.7                 |     |
| ECS205621CV  | 24"           | 56"           | 7348                             | 4124                             | 73           | 2.0                 |     |
| ECS241621CV  |               | 16"           | 2442                             | 1362                             | 26           | 0.7                 |     |
| ECS242421CV  |               | 24"           | 3662                             | 2043                             | 38           | 1.0                 |     |
| ECS243221CV  |               | 32"           | 4883                             | 2724                             | 51           | 1.4                 |     |
| ECS243621CV  |               | 36"           | 5494                             | 3064                             | 52           | 1.6                 |     |
| ECS244021CV  |               | 40"           | 6104                             | 3405                             | 63           | 1.7                 |     |
| ECS244821CV  | 24"           | 48"           | 7325                             | 4086                             | 76           | 2.1                 |     |
| ECS245621CV  |               | 56"           | 8546                             | 4767                             | 88           | 2.4                 |     |
| ECS771221CV  | 77"           | 12"           | 3,903                            | 2,340                            | 61           | 1.9                 |     |
| ECS771821CV  |               | 18"           | 5,848                            | 3,509                            | 91           | 2.9                 |     |
| ECS772421CV  |               | 24"           | 7,793                            | 4,674                            | 122          | 3.9                 |     |

\*\*outputs based on water supply temperatures @ 20°Δ T x 68°F room temperature  
All CV Radiators: Test Pressure: 191 psi - Max Operating Pressure: 147 psi

NOTE: Other sizes are available per request, please contact for more options.

### Type 21



#### Standard Features

- Internal thermostatic valve body
- Contoured side panels and top grille
- Adjustable mounting brackets
- Installed: plugs and air vent

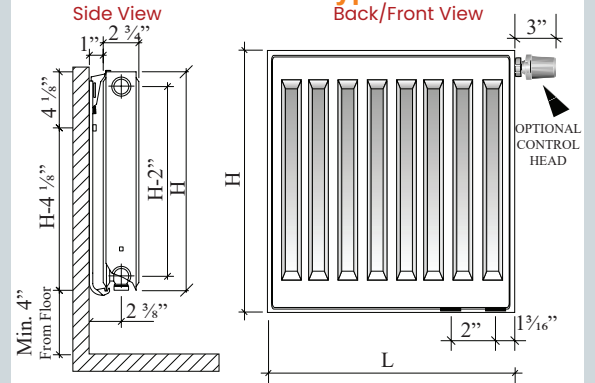
| c  | 12" | 18" | 24"    |
|----|-----|-----|--------|
| c1 | 3"  | 4"  | 6 3/4" |
| c2 | 2"  | 5"  | 7 3/4" |

NOTE: Vertical CV radiators can not use an internal thermostatic valve body.

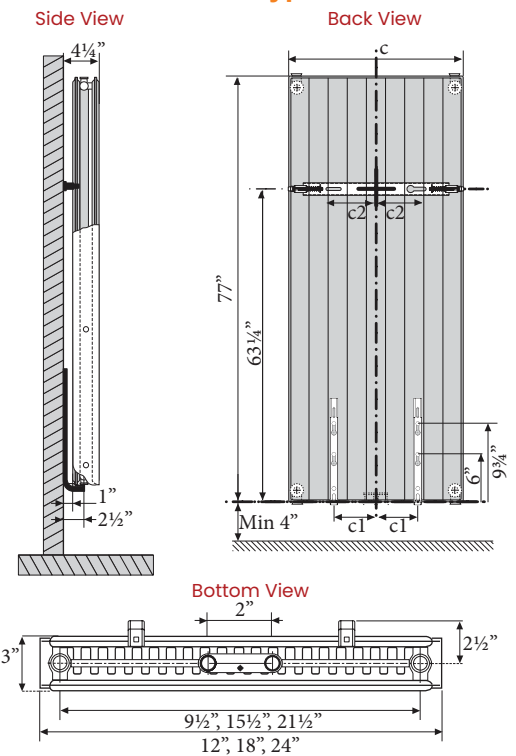


## Actual Dimensions

### Horizontal Type 21



### Vertical Type 21



Now offering an extensive range of colors. Please contact QHT for details.



Scan For More Information  
**QHT**  
The New Style of Warmth

www.ecostyle.us

800-501-7697

www.purmoUSA.com

**PURMO**

05/03/2021